

*Designer*  
PET PR  DUCTS<sup>®</sup>

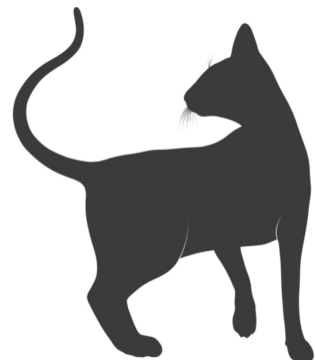
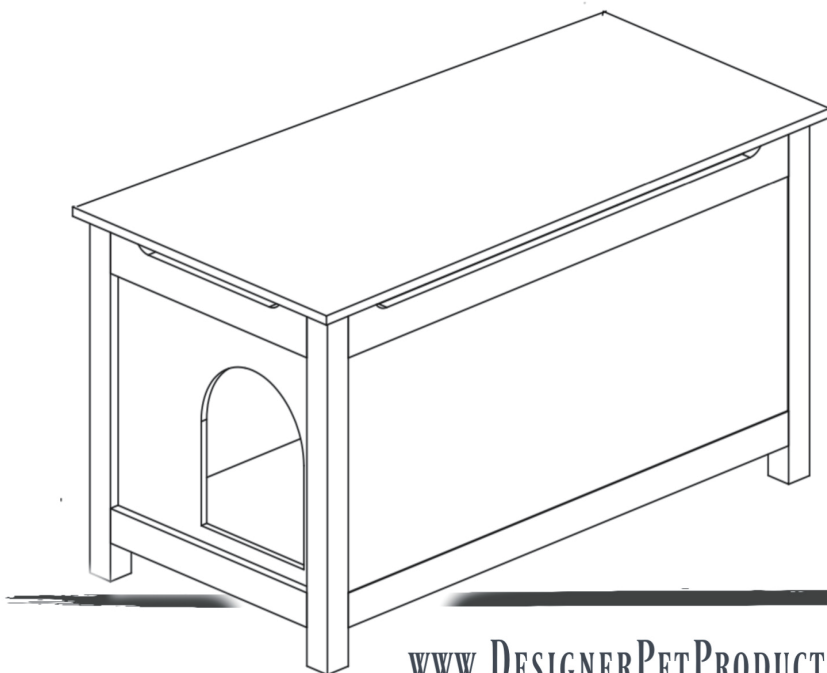
# INSTRUCTION MANUAL

Litter Box Enclosure  
Gray/White Models

Copyright © 2021 Designer Pet Products, Inc.

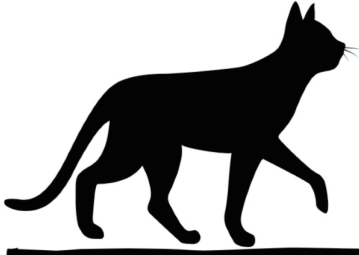
All rights reserved

Lot RIM-02



[www.DESIGNERPETPRODUCTS.COM](http://www.DESIGNERPETPRODUCTS.COM)

# Thank You For Your Purchase!



We hope you are completely happy with your purchase. If you have any questions, please email us at:

[Info@DesignerPetProducts.com](mailto:Info@DesignerPetProducts.com)

## Helpful Hints Before Assembling:

### Before you begin, you will need the following:

1) An electric screwdriver is recommended; however you can use an old fashioned one too.

2) You may need a friend to help hold the lid for assembly.

While this little guy is cute, we recommend a human friend!



### Buy your litter pan

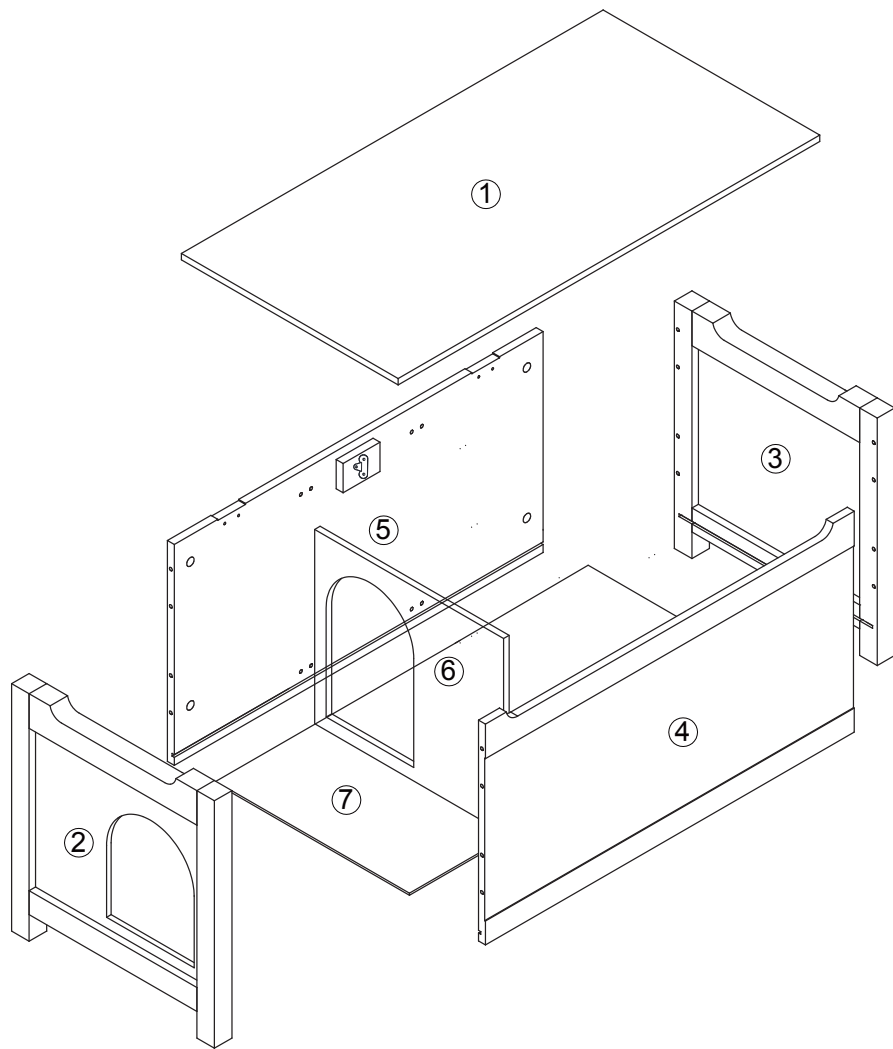
The interior space for the litter pan is 22.5" x 17" and will fit most Giant or Jumbo litter pans. If you need a larger litter pan, you can remove the interior panel.

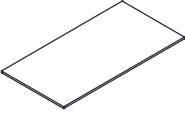
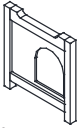
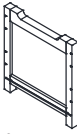
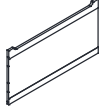
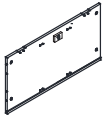
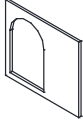
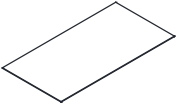
### Keeping Your Catbox Clean

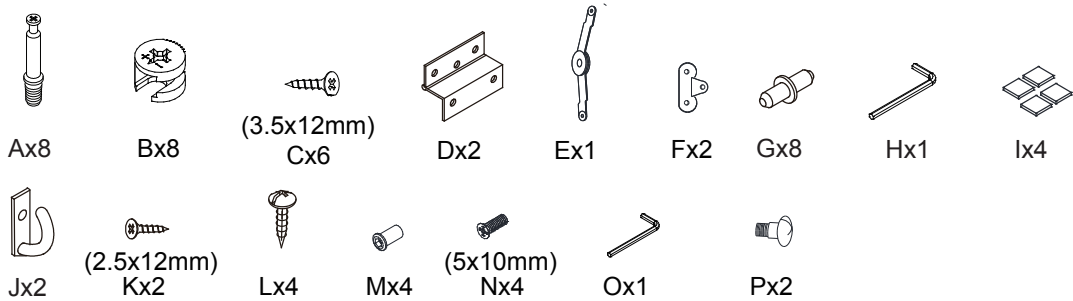
For best results, vacuum out any litter that may be kicked out of the litter pan. Do not try to wipe away litter as this may scratch the paint. After the litter has been vacuumed, you can clean the Catbox using a mild cleaner. Test cleaners in a discrete location first, such as an interior panel, to ensure that there is no adverse reaction. Do not expose Catbox to direct sunlight, drying heat sources, or dampness.

### And the Obligatory Warnings.....

- Keep small parts away from children to avoid choking.
- This not a children's product. Keep children away from product.
- The the Designer Catbox is a sturdy piece of furniture, but it is not designed for all to sit on.
- Use caution when closing the top of the Designer Catbox so that your fingers do not get caught.

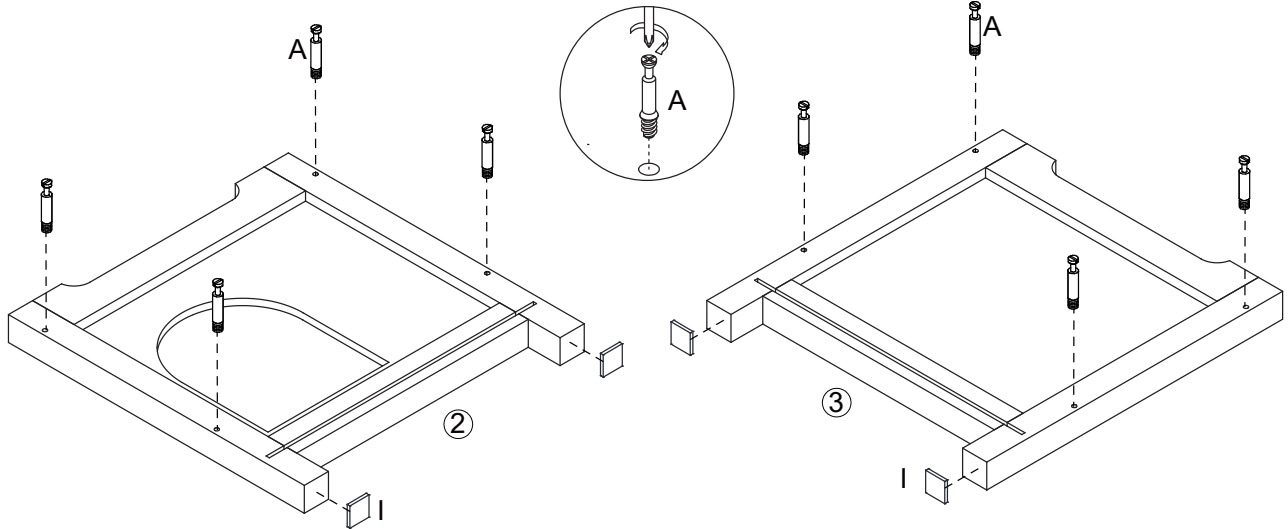


 ① x1	 ② x1	 ③ x1	 ④ x1
 ⑤ x1	 ⑥ x1	 ⑦ x1	







## Step 1

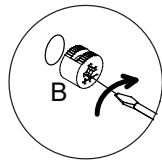


Install A post screws into the side pieces.  
Attach I furniture pads to the bottom of each foot.

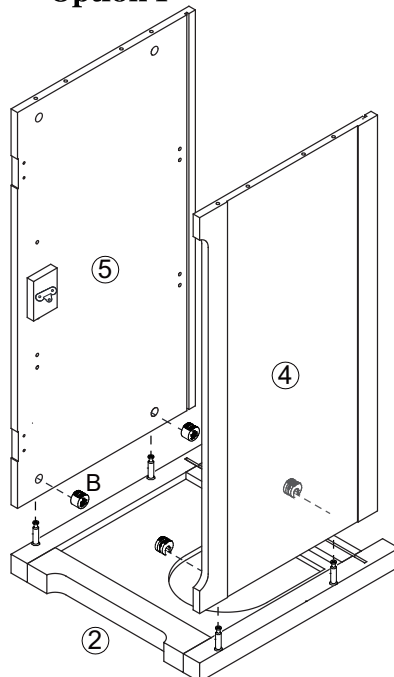
A X 8	I x 4
	

## Step 2

Choose which side you would like the entrance hole to be on. Attach side panels using locking screw B. Ensure that the locking screw's hooks are open to ensure that it will lock around the post. After the screw is pushed into the hole, twist it clockwise and the locking hooks will lock around the posts. Do not over tighten!

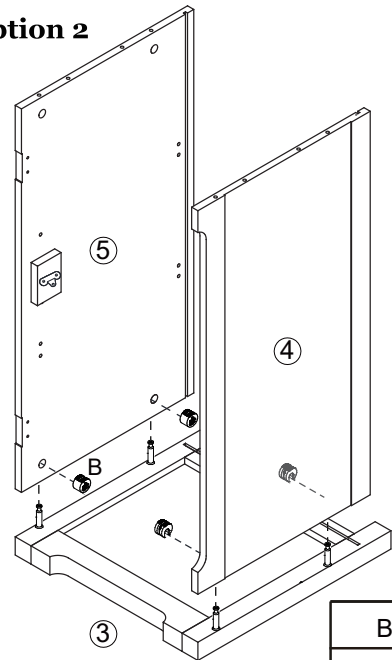


### Option 1




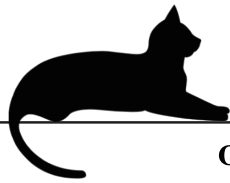
Entrance Hole on the Left

### Option 2



Entrance Hole on the Right

B x 4


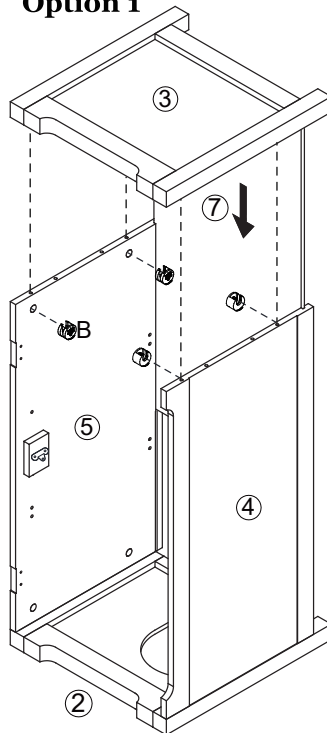


### Step 3

#### Option 1

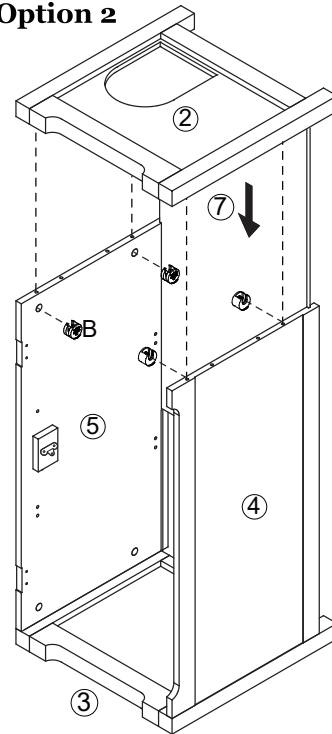
First, Slide the bottom panel (part 7) into place in the groove on the front, back, and side panels.

Slide the side panel onto the front and back panels (parts 4 and 5) over the posts. Attach side panels using locking screw B. Ensure that the locking screw's hooks are open to ensure that it will lock around the post. After the screw is pushed into the hole, twist it clockwise and the locking hooks will lock around the posts. Do not over tighten!



Entrance Hole on the Left

#### Option 2



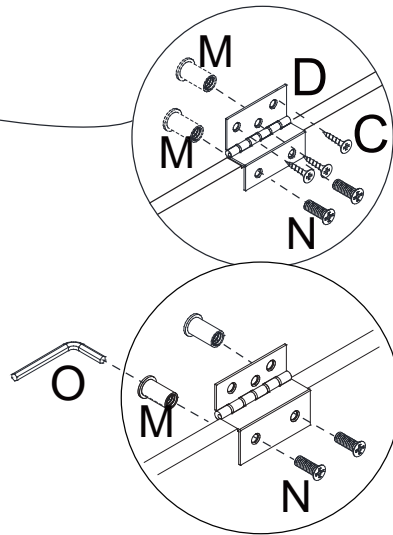
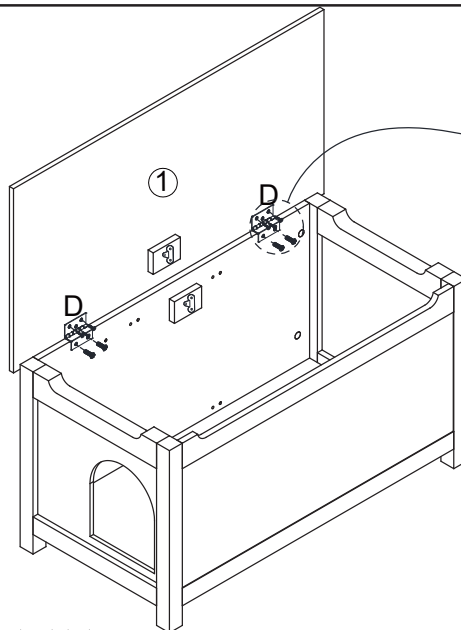
Entrance Hole on the Right

B x 4



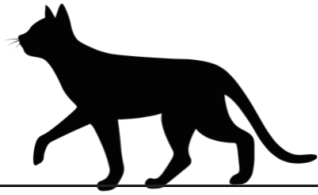
### Step 4

Find the D hinges and locate the side of the hinge that is shaped like a right angle. Place the hinge with the right angle into the grooves in the back piece of the box. Use Allen wrench O to attach the hinges to the back of the box using screws N and M.

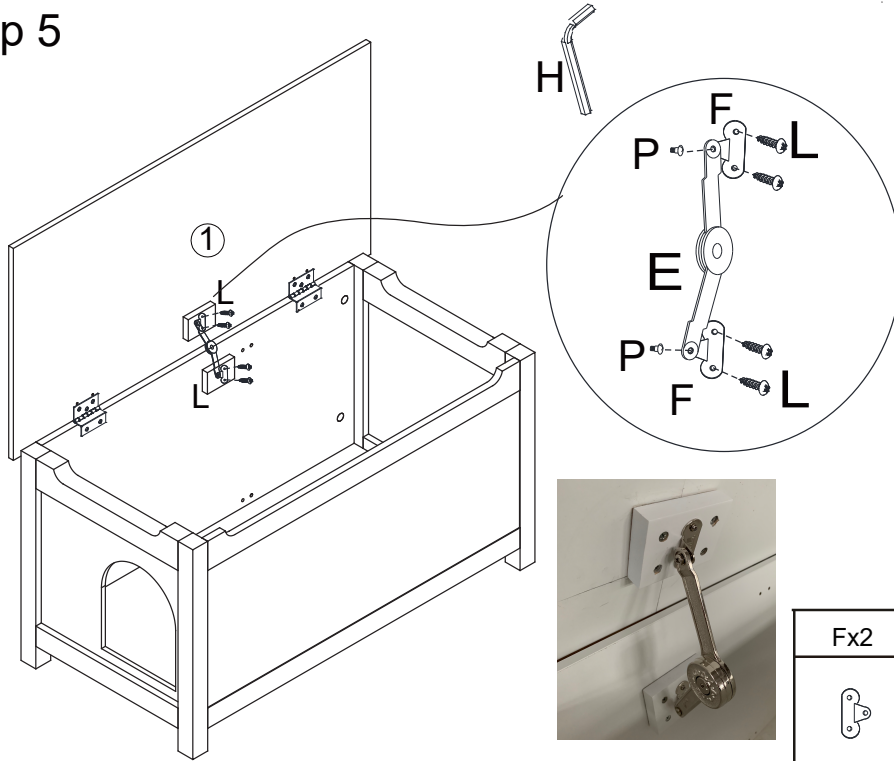


If possible, have someone hold the top piece in place as you install the C screws into the D hinges on the top piece.

D x 2	C x 6	M x 4	N x 4



## Step 5



Now, install the safety hinge. Start by installing the safety hinge brackets, Part F to the top and back panels using L screws. Next attach the safety hinge Part E to the brackets Part F using P screws. Note that the middle of the safety hinge, Part E will point toward the front of the box. Use the Allen wrench part H as needed to adjust the torque of the safety hinge if the lid isn't staying up or if the safety hinge is adjusted too tightly; the adjustment screw is in the middle of the safety hinge, Part E, on one side.

F x 2	P x 2	L x 4	E x 1

## Step 6

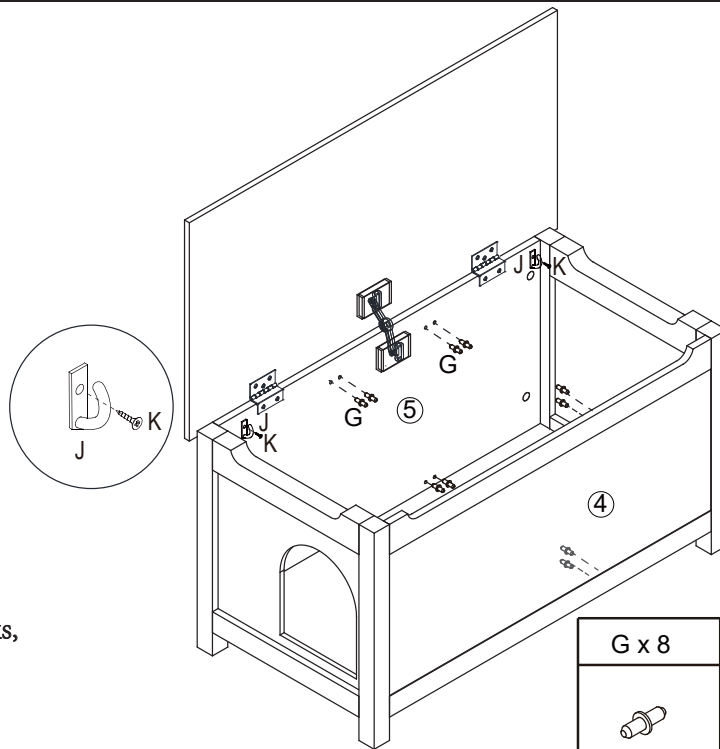
Note:

Where you install Part G depends on where you decided to have your entrance hole.

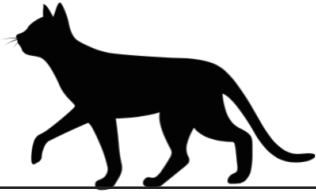
Insert the G pegs into the 8 spots on the inside of the box closest to the entrance hole.

If the entrance hole is on the left, use the left holes. If the entrance hole is on the right, use the right holes.

Next, install the litter scoop hooks, part J, using K.



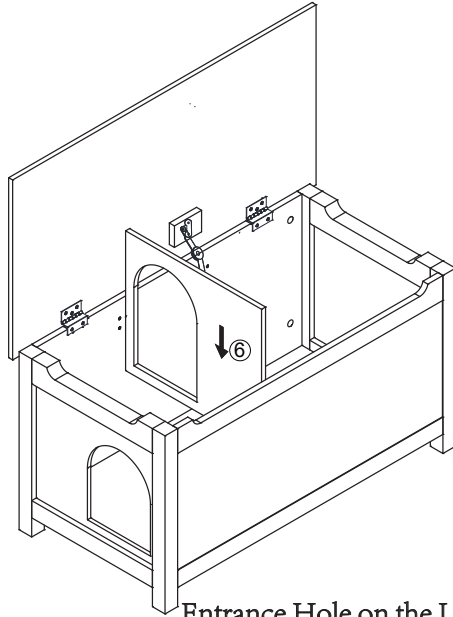
G x 8	J x 2	K x 2



## Step 7

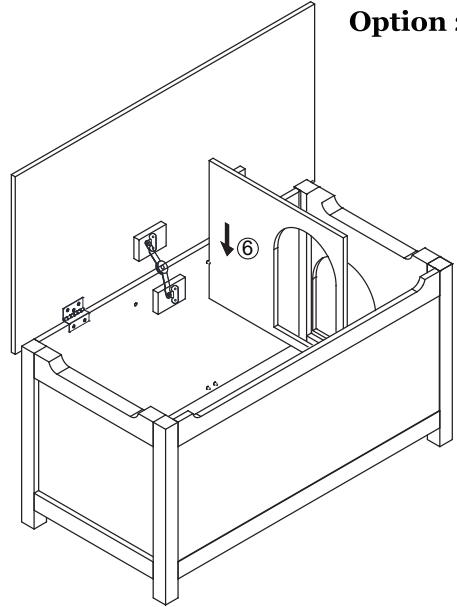
Now install the interior panel according to the assembly option you have chosen. You will want to make sure that the interior panel entrance hole is diagonal from the exterior entrance hole to prevent litter from getting kicked onto the floor and that the interior panel is placed in between the pegs closer to the entrance hole.

**Option 1**



Entrance Hole on the Left;  
Interior Hole is to the Back

**Option 2**



Entrance Hole on the Right;  
Interior Hole is to the Front

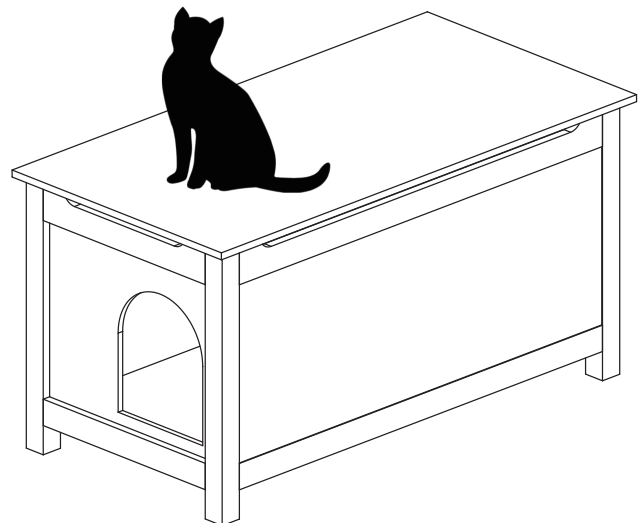
## **Congratulations!**

You have now completed the assembly of your catbox! Please use care when opening the lid. You may need to adjust the torque on the safety hinge periodically.

Send us a picture of your pets with their new Designer Pet Products!

Tag us #MyDesignerPetProducts

Email us: [Info@DesignerPetProducts.com](mailto:Info@DesignerPetProducts.com)



*Designer*  
PET PRODUCTS®